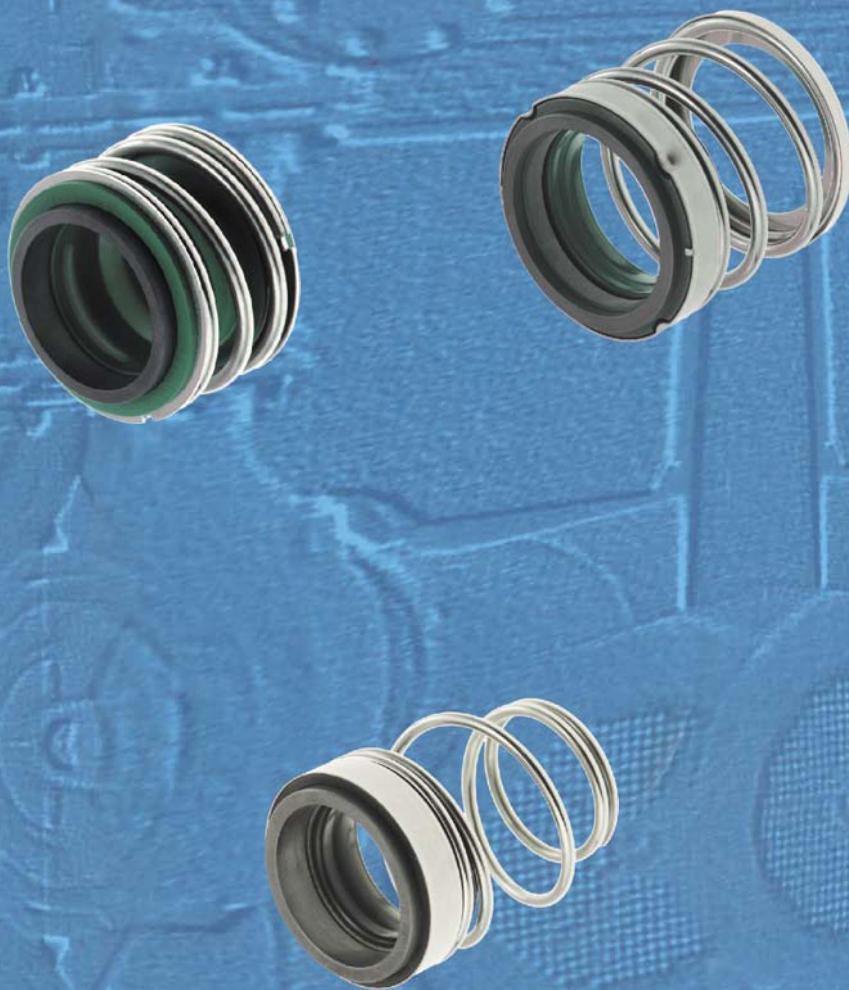


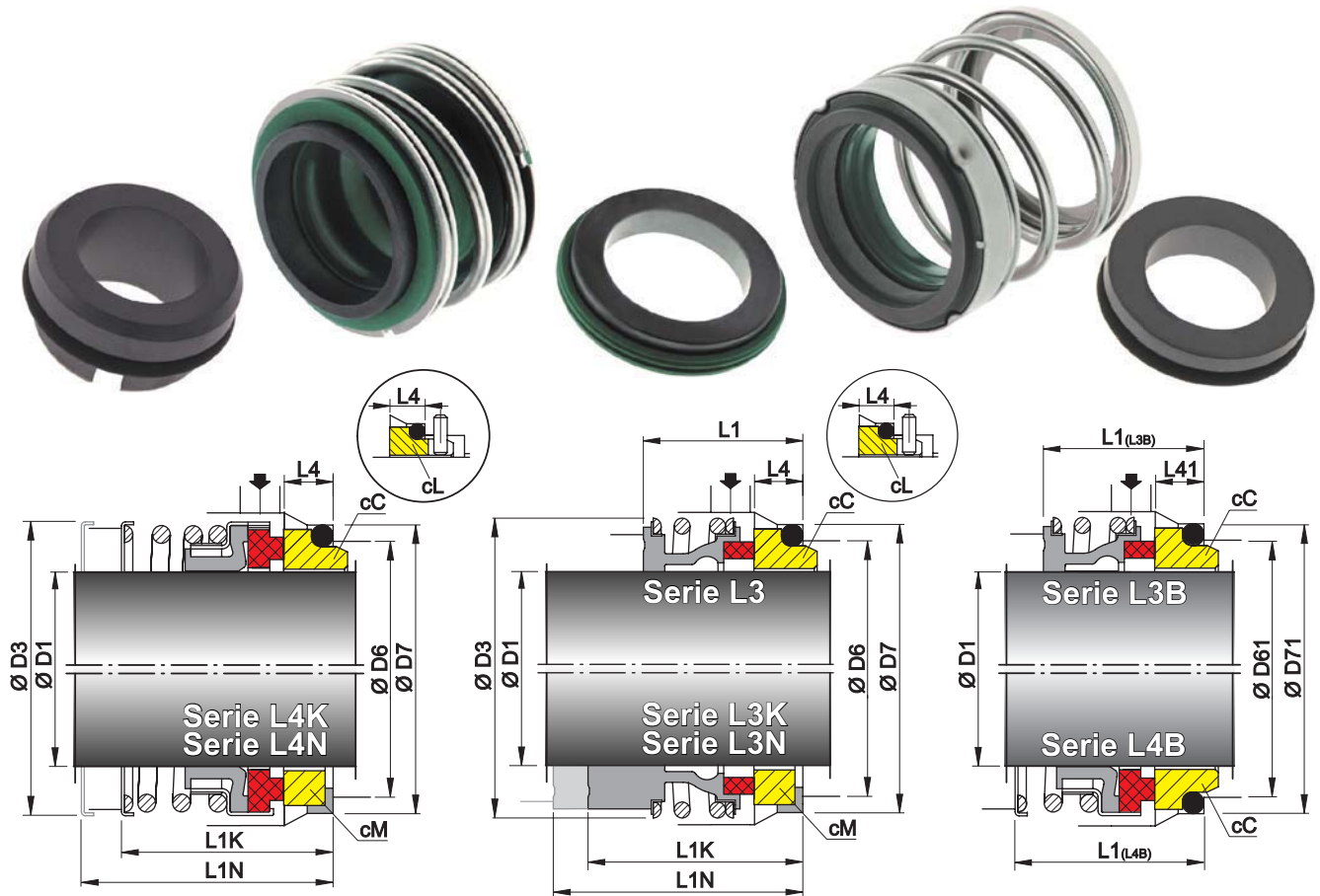
ELASTOMERBALG-GLEITRINGDICHTUNGEN

robuste Einzeldichtung
belastet
drehrichtungsunabhängig
wellenschonend
einfache Montage



ROTEN-MSG

Serie L3-L3K-L3N-L3B-L4K-L4N-L4B



Einbaumaße nach EN 12756 (DIN 24960) und Standard

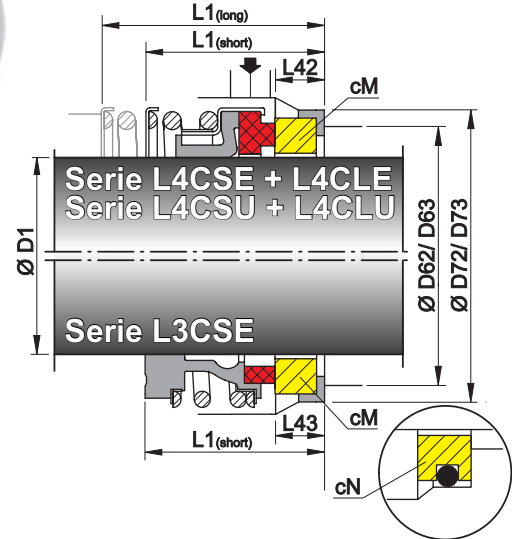
D1	D3 _{L3}	D3 _{L4}	D6	D7	L1	L1 _K	L1 _N	L4 _{cC/cM}	L4 _{cL} *
10	22,5	21	17	21	21,1	32,5	40	6,6	10,0
12	25,0	22	19	23	21,6	32,5	40	6,6	10,0
14	28,5	25	21	25	23,6	35,0	40	6,6	10,0
15	28,5	27	23	27	23,6	-	-	6,6	-
16	28,5	27	23	27	23,6	35,0	40	6,6	10,0
18	32,0	31	27	33	27,0	37,5	45	7,5	11,5
20	37,0	32	29	35	29,0	37,5	45	7,5	11,5
22	37,0	34	31	37	29,0	37,5	45	7,5	11,5
24	42,5	39	33	39	30,0	40,0	50	7,5	11,5
25	42,5	39	34	40	30,5	40,0	50	7,5	11,5
28	49,0	43	37	43	34,0	42,5	50	7,5	11,5
30	49,0	44	39	45	34,0	42,5	50	7,5	11,5
32	53,5	46	42	48	35,0	42,5	55	7,5	11,5
33	53,5	47	42	48	35,0	42,5	55	7,5	11,5
35	57,0	50	44	50	36,0	42,5	55	7,5	11,5
38	59,0	53	49	56	39,0	45,0	55	9,0	14,0
40	62,0	56	51	58	39,0	45,0	55	9,0	14,0
43	65,5	59	54	61	39,0	45,0	60	9,0	14,0
45	68,0	62	56	63	39,0	45,0	60	9,0	14,0
48	70,5	65	59	66	39,5	45,0	60	9,0	14,0
50	74,0	68	62	70	40,0	47,5	60	9,5	15,0
53	78,5	71	65	73	44,0	47,5	70	11,0	15,0
55	81,0	72	67	75	46,0	47,5	70	11,0	15,0
58	85,5	79	70	78	48,0	52,5	70	11,0	15,0
60	88,5	79	72	80	49,0	52,5	70	11,0	15,0
63	92,5	82	75	83	55,0	52,5	70	11,0	15,0
65	93,5	85	77	85	51,0	52,5	80	11,0	15,0
68	96,5	90	81	90	51,3	52,5	80	11,3	18,0
70	99,5	90	83	92	51,3	60,0	80	11,3	18,0
75	107,0	97	88	97	51,3	60,0	80	11,3	18,0
80	112,0	104	95	105	52,0	60,0	90	12,0	18,2
85	120,0	108	100	110	55,0	60,0	90	14,0	18,2
90	127,0	112	105	115	59,0	65,0	90	14,0	18,2
95	132,0	120	110	120	60,0	65,0	90	14,0	17,2
100	137,0	124	115	125	61,0	65,0	90	14,0	17,2

D61	D71	L1 _(L3B)	L1 _(L4B)	L41
15,5	19,2	21,1	22,6	6,6
17,5	21,6	20,6	23,1	5,6
20,5	24,6	22,6	23,1	5,6
20,5	24,6	23,6	24,1	6,6
22,0	28,0	24,5	26,5	7,5
24,0	30,0	27,5	28,5	8,0
29,5	35,0	29,0	29,5	7,5
29,5	35,0	29,0	31,0	7,5
32,0	38,0	30,0	32,5	7,5
32,0	38,0	30,5	34,0	7,5
36,0	42,0	35,5	35,5	9,0
39,2	45,0	37,0	35,5	10,5
42,2	48,0	38,0	39,0	10,5
44,2	50,0	38,5	39,5	11,0
46,2	52,0	39,5	39,5	11,0
49,2	55,0	40,3	42,5	10,3
52,2	58,0	40,8	45,5	10,8
53,3	62,0	42,0	48,0	12,0
55,3	64,0	41,6	50,8	11,6
59,7	68,4	42,1	56,3	11,6
60,8	69,3	42,1	57,3	11,6
63,8	72,3	45,3	60,3	12,3
66,5	75,4	48,3	62,3	13,3
69,5	78,4	50,3	65,3	13,3
71,5	80,4	51,3	66,3	13,3
74,5	83,4	53,3	-	13,3
76,5	85,4	53,0	67,3	13,0
82,7	91,5	53,7	69,0	13,7
83,0	92,0	53,0	69,3	13,0
90,2	99,0	54,0	70,3	14,0
95,2	104,0	55,0	74,3	15,0
100,2	109,0	55,8	-	14,8
105,2	114,0	59,8	-	14,8
111,6	120,3	61,8	-	15,8
114,5	123,3	62,8	-	15,8

* bei Verwendung von Gegenringen Typ cL wird die Gesamteinbaulänge L1, L1K, L1N überschritten

Änderungen vorbehalten

Serie L3CSE Serie L4CSE - L4CLE - L4CSU - L4CLU



Einbaumaße nach Zoll-Abmessungen

Serie L3CSE - L4CSE - L4CLE Ausführung "E" Europanorm						
D1 (metr.)	D1 (Zoll)	D62	D72	L1 (short)	L1 (long)	L42
10	0,375"	11,0	24,60	34,0	53,0	9,0
12	0,500"	13,5	27,80	34,0	53,0	9,0
14		17,0	30,95	35,5	54,5	10,5
15		17,0	30,95	35,5	54,5	10,5
16	0,625"	17,0	30,95	35,5	54,5	10,5
18	0,750"	20,0	34,15	35,5	54,5	10,5
20		21,5	35,70	35,5	54,5	10,5
22	0,875"	23,0	37,30	35,5	54,5	10,5
24		26,5	40,50	35,5	54,5	10,5
25	1,000"	26,5	40,50	35,5	54,5	10,5
28	1,125"	29,5	47,65	45,0	72,0	12,0
30		32,5	50,80	45,0	72,0	12,0
32	1,250"	32,5	50,80	45,0	72,0	12,0
33		36,5	54,00	45,0	72,0	12,0
35	1,375"	36,5	54,00	45,0	72,0	12,0
38	1,500"	39,5	57,15	45,0	72,0	12,0
40	1,625"	42,5	60,35	45,0	72,0	12,0
43	1,750"	46,0	63,50	53,0	83,0	12,0
45		46,0	63,50	53,0	83,0	12,0
48	1,875"	49,0	66,70	53,0	83,0	12,0
50	2,000"	52,0	69,85	54,5	84,5	13,5
53	2,125"	55,5	73,05	54,5	84,5	13,5
55	2,250"	58,5	76,20	54,5	84,5	13,5
58		61,5	79,40	54,5	84,5	13,5
60	2,375"	61,5	79,40	54,5	84,5	13,5
	2,500"	65,0	82,55	54,5	84,5	13,5
65	2,625"	68,0	92,10	65,0	86,0	16,0
68		71,0	95,25	65,0	86,0	16,0
70	2,750"	71,0	95,25	65,0	86,0	16,0
	2,875"	74,5	98,45	68,0	89,0	16,0
75	3,000"	77,5	101,60	68,0	89,0	16,0
	3,125"	80,5	111,15	76,0	99,0	20,0
80	3,250"	84,0	114,30	76,0	99,0	20,0
85	3,375"	87,0	117,50	76,0	99,0	20,0
	3,500"	90,5	120,65	76,0	99,0	20,0
90	3,625"	93,5	123,85	79,0	103,0	20,0
95	3,750"	96,5	127,00	79,0	103,0	20,0
	3,875"	100,0	130,20	82,0	106,0	20,0
100	4,000"	103,0	133,35	82,0	106,0	20,0

Änderungen vorbehalten

Serie L4CSU - L4CLU Ausführung "U" US-Norm					
D1 (Zoll)	D63	D73	L1 (short)	L1 (long)	L43
0,375"	0,625	0,875	1,125	1,500	0,313
0,500"	0,750	1,000	1,125	1,500	0,313
0,625"	0,937	1,250	1,281	1,718	0,406
0,750"	1,062	1,375	1,281	1,718	0,406
0,875"	1,187	1,500	1,343	1,781	0,406
1,000"	1,312	1,625	1,437	2,000	0,437
1,125"	1,437	1,750	1,500	2,062	0,437
1,250"	1,563	1,875	1,500	2,062	0,437
1,375"	1,687	2,000	1,562	2,124	0,437
1,500"	1,813	2,125	1,562	2,124	0,437
1,625"	2,000	2,375	1,875	2,500	0,500
1,750"	2,125	2,500	1,875	2,500	0,500
1,875"	2,250	2,625	2,000	2,625	0,500
2,000"	2,375	2,750	2,000	2,625	0,500
2,125"	2,375	3,000	2,249	2,937	0,562
2,250"	2,437	3,125	2,249	2,937	0,562
2,375"	2,563	3,250	2,375	3,062	0,562
2,500"	2,687	3,375	2,375	3,062	0,562
2,625"	2,812	3,375	2,562	3,375	0,625
2,750"	2,937	3,500	2,562	3,375	0,625
2,875"	3,062	3,750	2,687	3,500	0,625
3,000"	3,187	3,875	2,687	3,500	0,625
3,125"	3,312	4,000	2,968	3,906	0,781
3,250"	3,437	4,125	2,968	3,906	0,781
3,375"	3,562	4,250	2,968	3,906	0,781
3,500"	3,687	4,375	2,968	3,906	0,781
3,625"	3,812	4,500	3,093	4,031	0,781
3,750"	3,937	4,625	3,093	4,031	0,781
3,875"	4,062	4,750	3,218	4,156	0,781
4,000"	4,187	4,875	3,218	4,156	0,781

Änderungen vorbehalten

Serie L352K Serie L321 - L321K - L321N



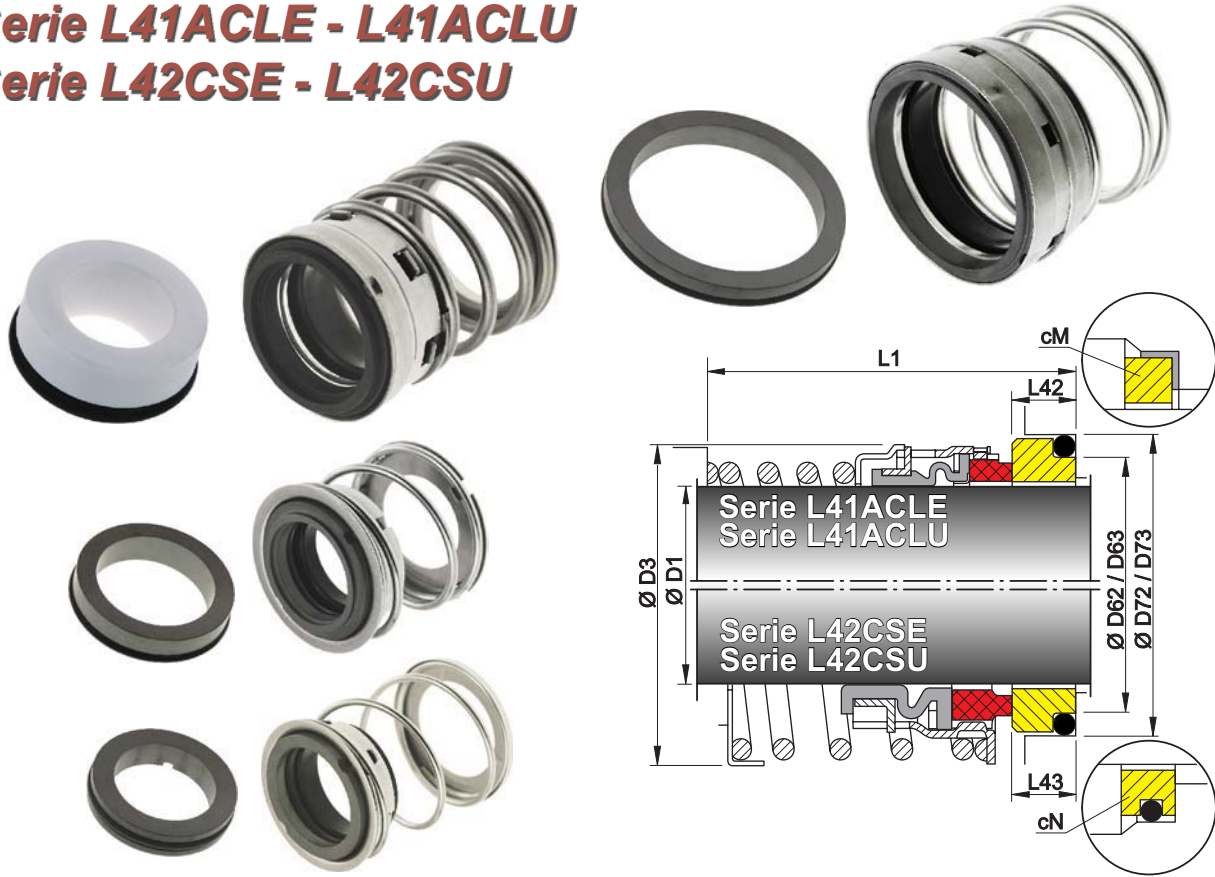
Einbaumaße nach EN 12756 (DIN 24960)

D1	D3 _{L352K}	D3 _{L321}	L1	L1 _K	L1 _N	L44	L45	D6	D7
10	-	20	20,0	32,5	40	-	5,0	17	21
12	-	22	21,0	32,5	40	-	6,0	19	23
14	24	24	21,0	35,0	40	12,0	6,0	21	25
15	-	25	21,0	-	-	-	6,0	23	27
16	26	26	21,0	35,0	40	12,0	6,0	23	27
18	32	32	26,0	37,5	45	13,5	6,0	27	33
20	34	34	26,0	37,5	45	13,5	6,0	29	35
22	36	36	26,0	37,5	45	13,5	6,0	31	37
24	38	38	26,0	40,0	50	13,5	6,0	33	39
25	39	39	26,0	40,0	50	13,0	6,0	34	40
28	42	42	32,0	42,5	50	12,5	6,0	37	43
30	44	44	33,0	42,5	50	12,0	7,0	39	45
32	46	46	33,0	42,5	55	12,0	7,0	42	48
33	47	47	33,0	42,5	55	12,0	7,0	42	48
35	49	49	34,0	42,5	55	12,0	8,0	44	50
38	54	54	38,0	45,0	55	13,0	8,0	49	56
40	56	56	38,0	45,0	55	13,0	8,0	51	58
43	59	59	38,0	45,0	60	13,0	8,0	54	61
45	61	61	38,0	45,0	60	13,0	8,0	56	63
48	64	64	40,0	45,0	60	13,0	10,0	59	66
50	66	66	40,0	47,5	60	13,5	10,0	62	70
53	69	69	40,0	47,5	70	13,5	10,0	65	73
55	71	71	40,0	47,5	70	13,5	10,0	67	75
58	78	78	43,0	52,5	70	13,5	10,0	70	78
60	80	80	45,0	52,5	70	13,5	12,0	72	80
63	83	83	45,0	52,5	70	13,5	12,0	75	83
65	85	85	45,0	52,5	80	13,5	12,0	77	85
68	88	88	45,0	52,5	80	13,5	12,0	81	90
70	89	90	45,0	60,0	80	14,5	12,0	83	92
75	96	99	52,0	60,0	80	14,5	12,0	88	97
80	104	104	52,5	60,0	90	15,0	12,5	95	105
85	108	109	52,5	60,0	90	15,0	12,5	100	110
90	114	114	52,5	65,0	90	15,0	12,5	105	115
95	118	119	52,5	65,0	90	15,0	12,5	110	120
100	124	124	52,5	65,0	90	15,0	12,5	115	125

Änderungen vorbehalten

Weitere Abmessungen, Einsatzgrenzen und Werkstoffe auf Anfrage

Serie L41ACLE - L41ACLU Serie L42CSE - L42CSU



Einbaumaße nach Zoll-Abmessungen

Serie L41ACLE - L42CSE Ausführung "E" Europanorm									
D1 (mm)	D1 (Zoll)	D3 (L41A)	D3 (L42)	L1 (L41A)	L1 (L42)	D62	D72	L42	
12	0,500"	27	32	53,0	34,0	13,5	27,80	9,0	
14		29	35	53,0	34,0	17,0	30,95	9,0	
15		29	35	54,5	35,5	17,0	30,95	10,5	
16	0,625"	29	35	54,5	35,5	17,0	30,95	10,5	
18	0,750"	32	40	54,5	35,5	20,0	34,15	10,5	
20		33	41	54,5	35,5	21,5	35,70	10,5	
22	0,875"	35	43	54,5	35,5	23,0	37,30	10,5	
24		38	47	54,5	35,5	26,5	40,50	10,5	
25	1,000"	38	47	54,5	35,5	26,5	40,50	10,5	
28	1,125"	46	56	72,0	45,0	29,5	47,65	12,0	
30		49	59	72,0	45,0	32,5	50,80	12,0	
32	1,250"	49	59	72,0	45,0	32,5	50,80	12,0	
35	1,375"	52	63	72,0	45,0	36,5	54,00	12,0	
38	1,500"	56	67	72,0	45,0	39,5	57,15	12,0	
40	1,625"	59	71	72,0	45,0	42,5	60,35	12,0	
43	1,750"	62	74	83,0	53,0	46,0	63,50	12,0	
45		62	74	83,0	53,0	46,0	63,50	12,0	
48	1,875"	65	77	83,0	53,0	49,0	66,70	12,0	
50	2,000"	68	81	84,5	54,5	52,0	69,85	13,5	
53	2,125"	75	88	84,5	54,5	55,5	73,05	13,5	
55	2,250"	75	88	84,5	54,5	58,5	76,20	13,5	
60	2,375"	78	91	84,5	54,5	61,5	79,40	13,5	
63	2,500"	86	100	84,5	54,5	65,0	82,55	13,5	
65	2,625"	86	100	86,0	65,0	68,0	92,10	16,0	
68		89	103	86,0	65,0	71,0	95,25	16,0	
70	2,750"	89	103	86,0	65,0	71,0	95,25	16,0	
	2,875"	92	108	89,0	68,0	74,5	98,45	16,0	
75	3,000"	95	111	89,0	68,0	77,5	101,60	16,0	
	3,125"	102	118	99,0	76,0	80,5	111,15	20,0	
80	3,250"	105	121	99,0	76,0	84,0	114,30	20,0	
85	3,375"	108	125	103,0	76,0	87,0	117,50	20,0	
	3,500"	111	128	103,0	76,0	90,5	120,65	20,0	
90	3,625"	114	131	103,0	79,0	93,5	123,85	20,0	
95	3,750"	118	134	103,0	79,0	96,5	127,00	20,0	
	3,875"	121	139	106,0	82,0	100,0	130,20	20,0	
100	4,000"	124	142	106,0	82,0	103,0	133,35	20,0	

Änderungen vorbehalten

Serie L41ACLU - L42CSU Ausführung "U" US-Norm					
D1 (Zoll)	L1 (L41A)	L1 (L42)	D63	D73	L43
0,375"	1,500"	1,125"	0,625"	0,875"	0,313"
0,500"	1,500"	1,125"	0,750"	1,000"	0,313"
0,625"	1,718"	1,281"	0,937"	1,250"	0,406"
0,750"	1,718"	1,281"	1,062"	1,375"	0,406"
0,875"	1,781"	1,343"	1,187"	1,500"	0,406"
1,000"	2,000"	1,437"	1,312"	1,625"	0,437"
1,125"	2,062"	1,500"	1,437"	1,750"	0,437"
1,250"	2,062"	1,500"	1,563"	1,875"	0,437"
1,375"	2,124"	1,562"	1,687"	2,000"	0,437"
1,500"	2,124"	1,562"	1,813"	2,125"	0,437"
1,625"	2,500"	1,875"	2,000"	2,375"	0,437"
1,750"	2,500"	1,875"	2,125"	2,500"	0,500"
1,875"	2,625"	2,000"	2,250"	2,625"	0,500"
2,000"	2,625"	2,000"	2,375"	2,750"	0,500"
2,125"	2,937"	2,249"	2,375"	3,000"	0,562"
2,250"	2,937"	2,249"	2,437"	3,125"	0,562"
2,375"	3,062"	2,375"	2,563"	3,250"	0,562"
2,500"	3,062"	2,375"	2,687"	3,375"	0,562"
2,625"	3,375"	2,562"	2,812"	3,375"	0,625"
2,750"	3,375"	2,562"	2,937"	3,500"	0,625"
2,875"	3,500"	2,687"	3,062"	3,750"	0,625"
3,000"	3,500"	2,687"	3,187"	3,875"	0,625"
3,125"	3,906"	2,968"	3,312"	4,000"	0,781"
3,250"	3,906"	2,968"	3,437"	4,125"	0,781"
3,375"	3,906"	2,968"	3,562"	4,250"	0,781"
3,500"	3,906"	2,968"	3,687"	4,375"	0,781"
3,625"	4,031"	3,093"	3,812"	4,500"	0,781"
3,750"	4,031"	3,093"	3,937"	4,625"	0,781"
3,875"	4,156"	3,218"	4,062"	4,750"	0,781"
4,000"	4,156"	3,218"	4,187"	4,875"	0,781"

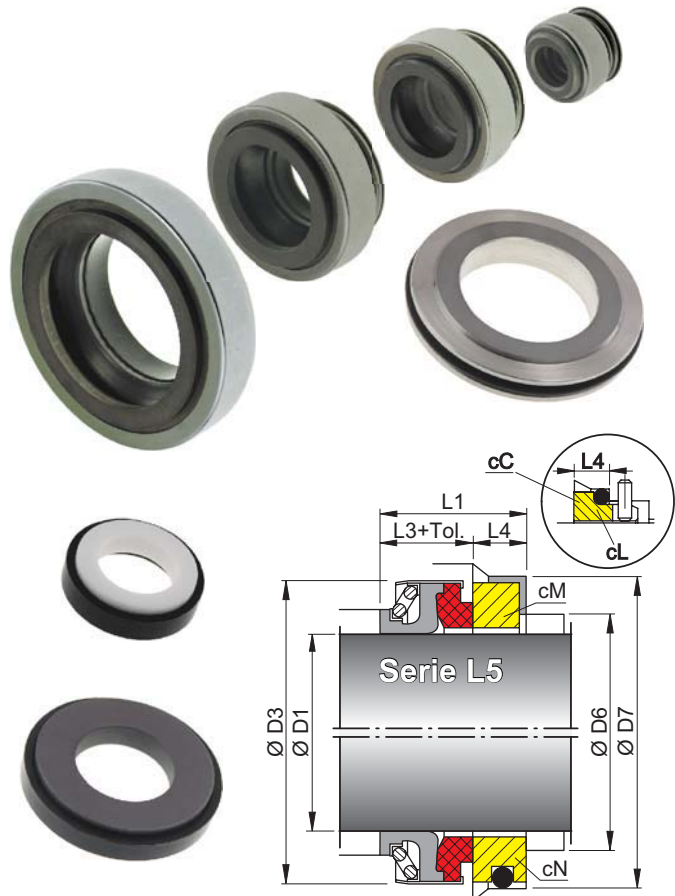
Änderungen vorbehalten

Einbaumaße nach Standard

Serie L5

D1	D3	D6	D7	L1	L3	Tol.	L4
6	18	8	22	12,0	8	0,5	4,0
8	20/24	10	22/26	16,5	11	0,5	5,5
10	24	12	26	19,0	11	0,5	8,0
11	24	13	26	19,0	11	0,5	8,0
12	24	14	26	19/16,5	11	0,5	8/5,5
12	24	14	26	21/18,5	13	0,5	8/5,5
13	24	15	26	21,0	13	0,7	8,0
14	32	16	29,5/38	21,0	13	0,7	8,0
15	32/35	17	29,5/38	21,0	13	0,7	8,0
16	32/35	18	29,5/38	21,0	13	0,7	8,0
17	39	19	42	21,0	13	0,7	8,0
18	39	20	42	21,0	13	0,7	8,0
19	39	21	42	21,0	13	0,7	8,0
20	39/42	22	42/45	21/23	13	0,7	8/10
22	42	24	45	23,0	13	0,7	10,0
23	47	25	50	24,0	14	1,0	10,0
24	47	26	50	24,0	14	1,0	10,0
25	42/47	27	50	24,0	14	1,0	10,0
28	54	31	57	25,0	15	1,0	10,0
30	54	33	57	25,0	15	1,0	10,0
32	54	35	57	25,0	15	1,0	10,0
35	60	38	63	26,0	16	1,0	10,0
38	65	41	68	29,0	17	1,0	12,0
40	65	43	68	29,0	17	1,0	12,0
45	70	48	73	32,0	20	1,0	12,0
50	85	53	88	35,0	20	1,0	15,0
60	105	65	110	45,0	30	2,0	15,0
65	105	70	110	45,0	30	2,0	15,0
70	105	75	110	47,0	32	2,0	15,0

Änderungen vorbehalten



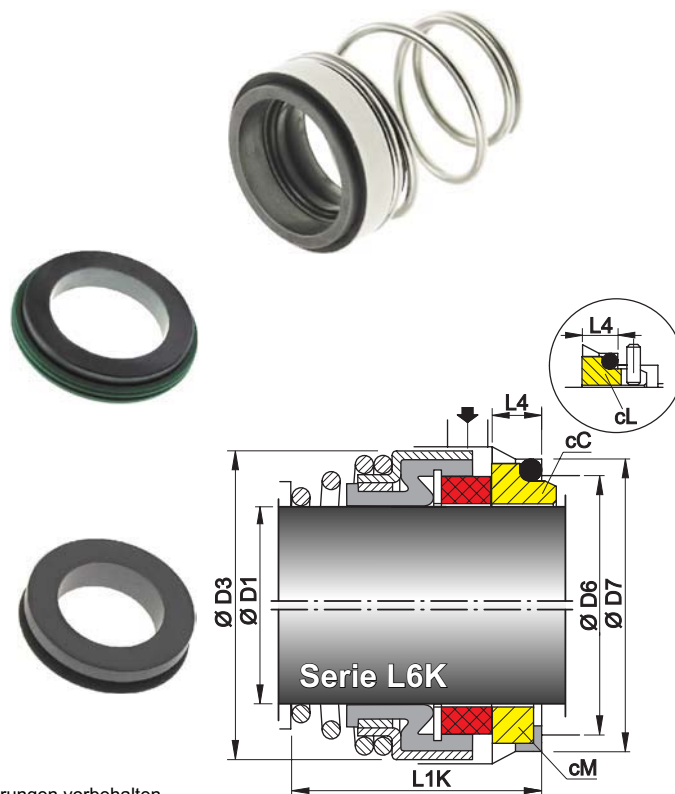
Einbaumaße nach EN 12756 (DIN 24960)

Serie L6K

D1	D3	D6	D7	L1 _K	L4 _{cC/cM}	L4 _{cL} *
10	19,6	17	21	32,5	6,6	10,0
12	21,6	19	23	32,5	6,6	10,0
14	24,0	21	25	35,0	6,6	10,0
15	25,0	23	27	-	6,6	-
16	26,5	23	27	35,0	6,6	10,0
18	29,0	27	33	37,5	7,5	11,5
20	31,5	29	35	37,5	7,5	11,5
22	33,0	31	37	37,5	7,5	11,5
24	37,0	33	39	40,0	7,5	11,5
25	38,0	34	40	40,0	7,5	11,5
28	41,0	37	43	42,5	7,5	11,5
30	43,0	39	45	42,5	7,5	11,5
32	45,0	42	48	42,5	7,5	11,5
33	46,0	42	48	42,5	7,5	11,5
35	48,0	44	50	42,5	7,5	11,5
38	52,5	49	56	45,0	9,0	14,0
40	55,5	51	58	45,0	9,0	14,0
43	58,5	54	61	45,0	9,0	14,0
45	60,5	56	63	45,0	9,0	14,0
48	64,0	59	66	45,0	9,0	14,0
50	66,0	62	70	47,5	9,5	15,0
53	69,0	65	73	47,5	11,0	15,0
55	71,0	67	75	47,5	11,0	15,0
58	76,0	70	78	52,5	11,0	15,0
60	78,0	72	80	52,5	11,0	15,0
63	82,0	75	83	52,5	11,0	15,0
65	84,0	77	85	52,5	11,0	15,0
68	87,0	81	90	52,5	11,3	18,0
70	89,0	83	92	60,0	11,3	18,0
75	95,0	88	97	60,0	11,3	18,0
80	101,5	95	105	60,0	12,0	18,2
85	108,0	100	110	60,0	14,0	18,2
90	111,5	105	115	65,0	14,0	18,2
95	118,0	110	120	65,0	14,0	17,2
100	122,5	115	125	65,0	14,0	17,2

Änderungen vorbehalten

* bei Verwendung von Gegenringen Typ cL wird die Gesamteinbaulänge L1K überschritten



Einbaumaße

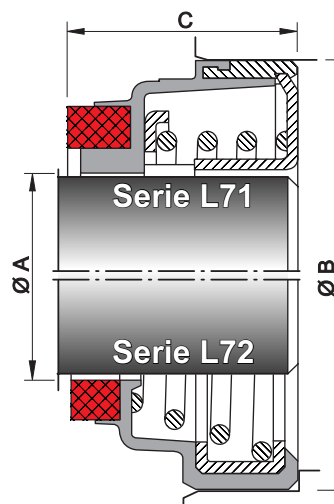
A	B	C
13,0	30	15
17,0	35	16
21,0	40	17
22,0	42	18
27,0	47	19
32,5	52	20
37,0	60	20
42,0	65	22

7,0	20	8
10,0	24	10
10,6	30	15
13,0	30	15
13,0	32/34	12
17,5	35	16

Änderungen vorbehalten



Serie L7



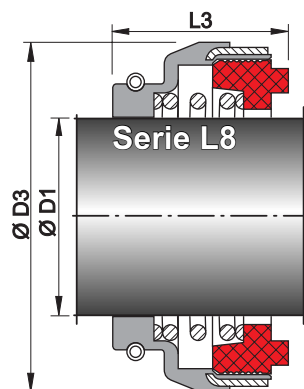
Einbaumaße

D1	D3	L3
6	18,0	10
10	24,0	16
12	26,0	16
14	28,0	16
15	30,0	16
16	33,0	18
18	36,0	18
20	38,0	18
22	40,0	20
24	43,0	20
25	44,0	20
28	47,0	22
30	50,0	22
32	53,0	26
35	56,5	26
38	59,0	26
40	61,0	26
45	73,0	26
50	78,0	26
65	95,0	30
70	100,0	30

Änderungen vorbehalten



Serie L8



Einbaumaße

metrisch

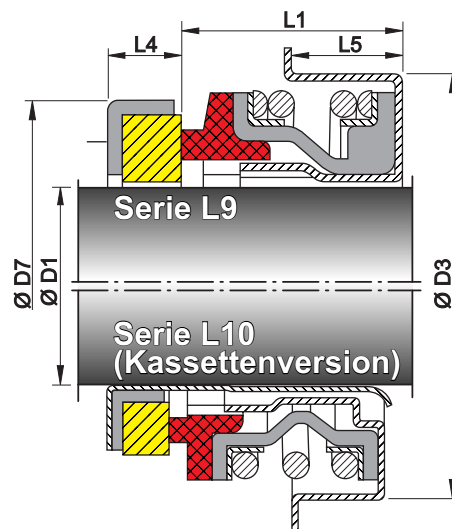
D1	D3	D7	L1	L4	L5
13	28,5	25,0	13,2	5,0	8,0
13	28,5	25,4	13,8	7,9	8,0
17	36,4	31,0	14,8	5,0	8,0
17	36,4	31,7	15,4	10,3	8,0
20	40,0	35,0	15,5	5,0	9,5
20	40,0	34,9	15,4	10,3	9,5
30	52,0	48,0	19,0	8,0	11,0

Zoll

D1	D3	D7	L1	L4	L5
0,500	1,125	0,985	0,520	0,197	0,315
0,500	1,125	1,000	0,543	0,312	0,315
0,625	1,435	1,220	0,583	0,197	0,315
0,625	1,435	1,250	0,605	0,406	0,315
0,750	1,575	1,378	0,610	0,197	0,374
0,750	1,575	1,375	0,605	0,406	0,374
1,125	2,047	1,890	0,748	0,315	0,433

Änderungen vorbehalten

Serie L9 Serie L10



Weitere Sondervarianten



Eigene Elastomerformteile-Herstellung (zertifizierte Qualitäten)



Tel. +49-(0) 6400-8004
Fax. +49-(0) 6400-8224
E-Mail: info@roten-msg.de
Internet: www.roten-msg.de

ROTEN-MSG

Dichtungen GmbH

An der Ohm 7 • 35325 Mücke-Wettersaasen