

MECHANICAL SEALS

Food Industry
Biotechnology
Sterile Processes
Chemical, pharmaceutical
Industry



ROTEN-MSG

APV (centrifugal pumps)

Pumps W-

Single seal, unbalanced, dependent of direction of rotation

simple mounting

Shaft sizes	ø25 and 35mm
Seal faces made of	Carbon/tungsten carbide or carbon/SiC tungsten carbide/SiC or SiC/SiC
O-rings	EPDM + Viton®
Spring	AISI 316

double mounting with quenching, rubber bellow seal on the atmosphere side

Seal faces made of	Carbon/AISI 316
Bellows	NBR
Spring	AISI 316



Pumps W+

Single seal, balanced, independent of direction of rotation

simple mounting

Shaft sizes	ø25 and 35mm
Seal faces made of	Carbon/SiC or SiC/SiC
O-rings	EPDM or Viton®

Pumps Rosita serie ZMA, ZMH and ZMK

Single seal, unbalanced, dependent of direction of rotation (left)

simple mounting

Shaft sizes	ø20, 25 and 30mm
Seal faces made of	Carbon/AISI 316
O-rings	EPDM or FPM
Spring	AISI 316

Pumps serie ZMS5, 6

Single seal, balanced, independent of direction of rotation

simple mounting

Shaft sizes	ø48mm
Seal faces made of	Carbon/AISI 316
O-rings	EPDM or Viton®
Spring	AISI 316

Pumps serie Puma

Single seal or double seal, unbalanced, dependent of direction of rotation

simple or double mounting

Shaft sizes	ø25,4 or 38,1mm
Seal faces made of	Carbon/Ceramic or SiC/SiC
O-rings	EPDM
Spring	AISI 316

special constructions on request

KSB (centrifugal pumps)

Pumps serie Etachrom, Etanorm, Etabloc...

Pumps serie Movl

Pumpen Serie KWP-K..., CPK-S1...

Rubber bellow single seal, unbalanced, independent of direction of rotation

simple mounting

Shaft sizes	For ex.: ø22, 28, 33, 38, 43, 48, 53 and 65mm
Seal faces made of	Carbon/SiC or SiC/SiC
O-rings	EPDM, FPM or PTFE

special constructions on request



Mixers, agitators

Stelzer

PRG

Alfa-Laval

Ystral

Single seal, unbalanced, dependent of direction of rotation

simple mounting

Shaft sizes	For ex.: ø25, 35, 40, 45, 50, 60, 70 and 80mm
Seal faces made of	Carbon/AISI 316 or tungsten carbide/tungsten carbide or SiC/SiC
O-rings	EPDM and Viton®
Spring	AISI 316

Single seal, unbalanced, independent of direction of rotation

simple mounting

Sinus spring	AISI 316
--------------	----------

Double seals, unbalanced, independent of direction of rotation (without photo)

special constructions on request



Rotary Lobe pumps

Pumps ITT Jabsco, Tetra Pak, LKM, Ibex, Johnson...
Pumps ALFA-Laval (SR serie, LKPL serie)
Pumps INDAG

Single seal (twice), unbalanced, independent of direction of rotation

simple mounting

Shaft sizes (metric)	For ex.: ø20, 28, 30, 35, 38, 45, 50, 53, 55 and 60mm
Shaft sizes (inch)	For ex.: ø1,125"; 1,875"; 2,125"
Seal faces made of	Carbon/AISI 316 or tungsten carbide/tungsten carbide or SiC/SiC
O-rings	EPDM and Viton®
Spring	AISI 316

special constructions on request



Grundfos

CR, LM, LP, DM, NM, JP, CH, NB, NK, TP, SV ...

Single cartridge seals, single seal, unbalanced

simple mounting

Shaft size (metric)	For ex.: ø12, 16, 22mm, ...
Seal faces made of	SiC/SiC, WoC/WoC, SiC/WoC, SiC/Carbon, WoC/Carbon
O-rings	EPDM and Viton®
Spring	AISI 316

special constructions on request



Johnson, Stork, Inoxpa

Radial centrifugal pumps

Single seal, unbalanced, independent of direction of rotation

simple mounting or double mounting

Shaft sizes	For ex.: ø15,9; 25,4; 28; 35; 38,1; 50 and 65mm
Seal faces made of	Carbon/AISI 316 or tungsten carbide/tungsten carbide or ceramic/carbon
O-rings	EPDM and Viton®
Spring	AISI 316

special constructions on request



EDUR (centrifugal pumps)

Cooling pumps, hot water pumps

Single seal, unbalanced, dependent of direction of rotation

simple mounting

Shaft sizes	For ex.: ø20 and 30mm
Seal faces made of	Carbon/SiC or SiC/SiC
O-rings	EPDM and Viton®
Spring	AISI 316

Rubber bellow single seal, unbalanced, independent of direction of rotation

simple mounting

Shaft sizes	For ex.: ø20 and 30mm
Seal faces made of	Carbon/SiC or SiC/SiC
O-rings	EPDM and FPM
Spring	AISI 316

special constructions on request



Freezer

Ice cream machines

Single seal, unbalanced, dependent of direction of rotation

simple mounting

Shaft sizes	For ex.: ø40, 45, 50, 60, 65, 70 and 75mm
Seal faces made of	Carbon/AISI 316 or tungsten carbide/tungsten carbide or SiC/SiC
O-rings	EPDM and Viton®, Silicon or FEP
Spring	AISI 316

special constructions on request



Progressing cavity pumps

Allweiler serie SEP, ACN...
Netzsch serie NE, NL, NM...
Seepex serie CS, BTM
PCM serie MR

Single seal, unbalanced, dependent of direction of rotation

simple mounting

Shaft sizes	For ex.: ø20, 25, 28, 30, 35, 38, 40, 43, 45, 48, 50, 55, 60, 65, 70, 80, 85, 90 and 100mm
Seal faces made of	many different combinations
O-rings	EPDM or Viton®
Spring	AISI 316

Single seal, unbalanced, independent of direction of rotation

simple mounting

Super sinus spring	AISI 316
--------------------	----------

Double seals, unbalanced, independent of direction of rotation (without photo)

Fully pre-assembled cartridge units

simple mounting

Rubber bellow single seal, unbalanced, independent of direction of rotation
simple mounting

Shaft sizes	For ex.: ø20, 25, 28, 30, 35, 38, 40, 43, 45, 48, 50, 55, 60, 65, 70, 80, 85, 90 and 100mm
Seal faces made of	Carbon/SiC SiC/SiC
O-rings	EPDM and FPM
Spring	AISI 316



special constructions on request

Sterile applications

Sterile centrifugal pumps
Sterile progressing cavity pumps
Sterile mixers

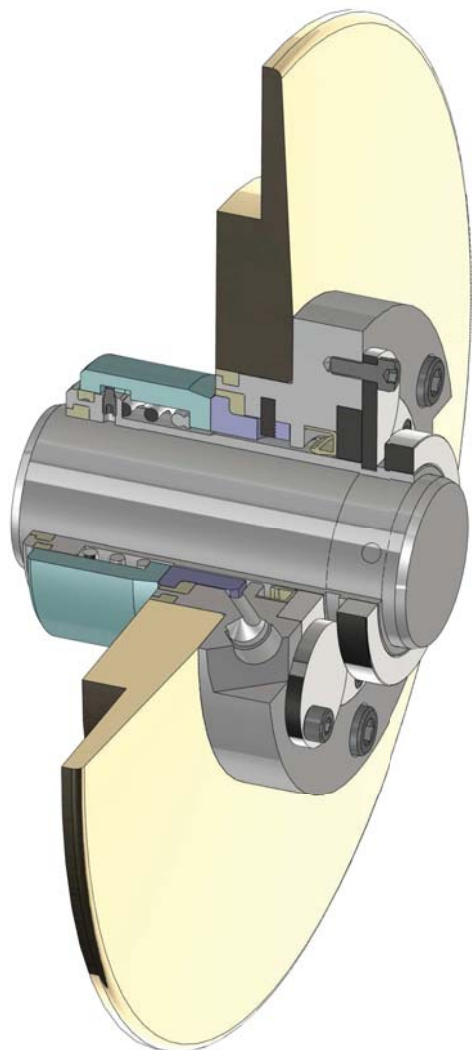
Reduced free gap, high pressure versions, single seals, balanced,
independent of direction of rotation, protected spring, 3A sanitary standard

simple mounting

Shaft sizes	Many different Ø
Seal faces made of	Carbon/AISI 316 or carbon/SiC or SiC/SiC
O-rings	EPDM and Viton®
Spring	AISI 316

special materials like special SiC or titan possible

special constructions on request



Various sanitary centrifugal pumps

Many different other centrifugal pumps producers

Single seal, unbalanced, dependent of direction of rotation
(maybe also left hand, „back to back“ or tandem versions possible)

Single seal, balanced, independent of direction of rotation

Double seals, unbalanced and balanced



special constructions on request

FRISTAM (centrifugal pumps)

Pumps serie FC, FM, FP, FZ

Single seal or rubber bellow seal, unbalanced,
dependent of direction of rotation (right hand)

simple mounting	
Shaft sizes	ø22, 30 and 35mm
Seal faces made of	Carbon/AISI 316 or carbon/ceramic or tungsten carbide/tungsten carbide or SiC/SiC
O-rings	EPDM or Viton® or PTFE
Spring	AISI 316

Rubber bellow single seals, independent of direction of rotation

simple mounting	
Rubber bellow	NBR, EPDM or FPM
Metallic parts	AISI 316

With quenching, atmosphere side with rubber bellow single seals, independent of
direction of rotation or as single seal dependent of direction of rotation (right hand)

double mounting	
Seal faces made of	Carbon/AISI 316 or carbon/ceramic
Bellows	NBR, EPDM or FPM
Metallic parts	AISI 316

With special stationary seats for double use

double mounting	
Stationary seat	AISI 316 or ceramic
O-rings	EPDM or Viton®

special constructions on request

flushing cover (with and without carbon bearing) on request



Pumps CF Wiking (Tuchenhagen) Pumps ZG Wiking (Abel)

Single seal, balanced, independent of direction of rotation

simple mounting	
Sizes	I, II, III, IV
Seal faces made of	Carbon/Cr-oxyde or carbon/SiC SiC/SiC
O-rings	EPDM and Viton®, FEP
Spring	AISI 316

special constructions on request



Tri-Clover, Pierre Guerin (Centrifugal pumps)

Pumps serie C 114, 216, 218, 328, 428, 4410

Single seal, balanced, independent of direction of rotation

simple mounting	
Shaft sizes	ø20, ø28, ø38mm
Seal faces made of	Carbon/SiC or SiC/SiC
O-rings	EPDM and Viton®, PTFE
Spring	AISI 316

special constructions on request



TUCHENHAGEN (centrifugal pumps)

Pumps VP serie B, C, D ... L

Single seal, balanced, dependent of direction of rotation

simple mounting

Shaft sizes	ø22, 30 and 35mm
Seal faces made of	Carbon/AISI 316
O-rings	EPDM and PTFE
Spring	AISI 316

Pumps serie AR (former models)

Rubber bellow single seal, unbalanced, independent of direction of rotation

simple mounting

Shaft sizes	1A, 2A, 3A
Seal faces made of	Carbon/AISI 316
O-rings	NBR
Spring	AISI 316



special constructions on request

Repair service

Professional complete regeneration and renewal for all types and all producers



Tel. +49-(0) 6400-95736-0
Fax. +49-(0) 6400-8224
E-Mail: info@roten-msg.de
Internet: www.roten-msg.de

ROTEN-MSG
Dichtungen GmbH

Industriestraße 10 • 35325 Mücke/Nieder-Ohmen • Germany